

804



»» Features

- Special design of automotive relays 30A/14VDC for Japanese car model.
- Optional to be equipped with diode or resistor.
- Plain cover or flange cover version both available.
- General purpose for air conditioning control, halogen head lamp control, horn control, fog lamp control, etc.
- Comply with RoHS-Directive 2002/95/EC, and ELV-Directive 2000/53/EC.

»» Type List

Terminal style	Contact form	Coil parallel with	Designation (provided with)		
			Dust cover	Sealed type	Mounting ears
Socket terminal	1A (SPNO)	Blank	804-1A-C	804-1A-S	804-1A-C1
		Resistor	804-1A-C-R1	804-1A-S-R1	804-1A-C1-R1
		Resistor	804-1A-C-R2	804-1A-S-R2	804-1A-C1-R2

»» Ordering Information

804 - 1A - C - R1
 1 2 3 4

1. 804 -- Basic series designation
2. 1A -- Single pole normally open
3. C -- Dust cover
 C1 -- Mounting ears on cover
 V -- Sealed type
 S -- Sealed type washable
4. Blank -- Standard type
 R1 -- Coil parallel with 1/2W resistor for 12V 680Ω, 24V 2700Ω
 R2 -- Coil parallel with 1/2W resistor for 12V 820Ω, 24V 3200Ω
 D1 -- Coil parallel with diode IN4007

»» Contact Rating

Resistive load	30A 12VDC ; 15A 24VDC
----------------	-----------------------

»» Coil Rating (DC)

Rated voltage (V)	Rated current ±10 % at 23°C (mA)	Coil resistance ±10 % at 23°C (Ω)	Max. continuous voltage at 85°C ⁽¹⁾	Pick up voltage(Max) at 23°C	Drop out voltage(Min) at 23°C	Power consumption at rated voltage
12	120	100	120 % of rated voltage	65 % of rated voltage	10 % of rated voltage	approx. 1.4W
24	60	400		70 % of rated voltage		

Note:(1)Continuous contact current at 10A.

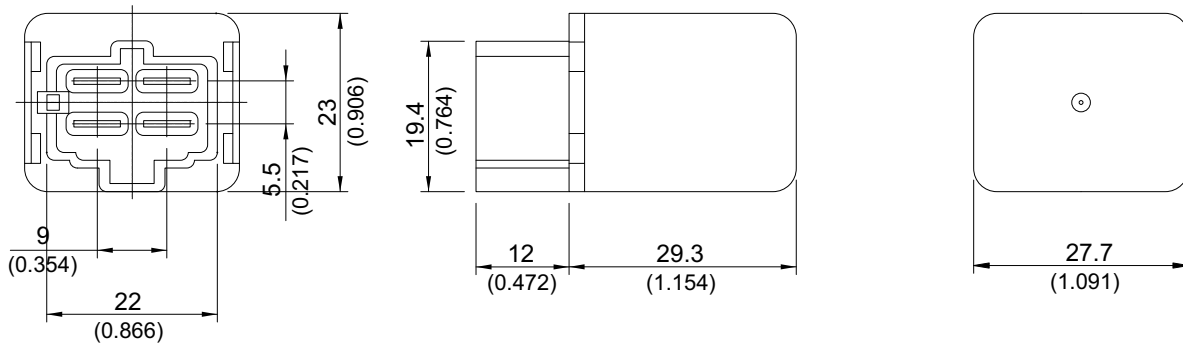
»» Specification

Contact material	AgSnO alloy	
Contact voltage drop ⁽¹⁾	Typ. 50mV at 10A	
Operate time ⁽¹⁾	10ms Max.	
Release time ⁽¹⁾	10ms Max.	
Insulation resistance ⁽¹⁾	50MΩ Min. (DC 500V)	
Dielectric strength ⁽¹⁾	Between open contact	: AC 500V , 50/60Hz 1 min.
	Between contact and coil	: AC 500V , 50/60Hz 1 min.
Vibration resistance	10~55Hz , amplitude 2.0mm	
Shock resistance	Operating extremes	10G
	Damage limits	100G
Life expectancy	Mechanical	5,000,000 operations Min. (frequency 18,000 operations/hr)
	Electrical	100,000 operations Min. (frequency 1,200 operations/hr)
Operating temperature	-30~+85°C (no freezing)	
Weight	Approx. 35 g	

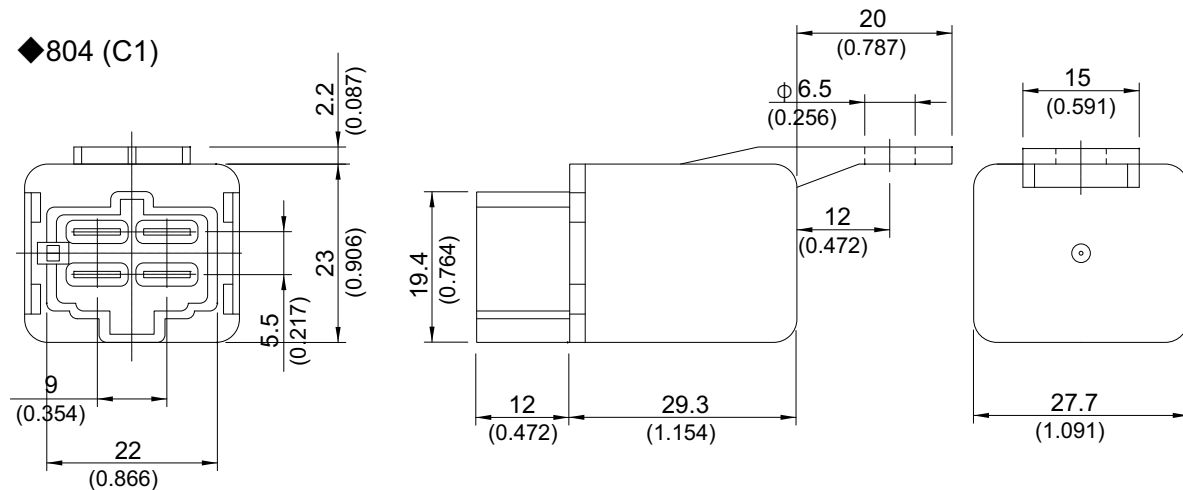
Note:(1)Initial value

»» Outline Dimensions

◆804 (C)

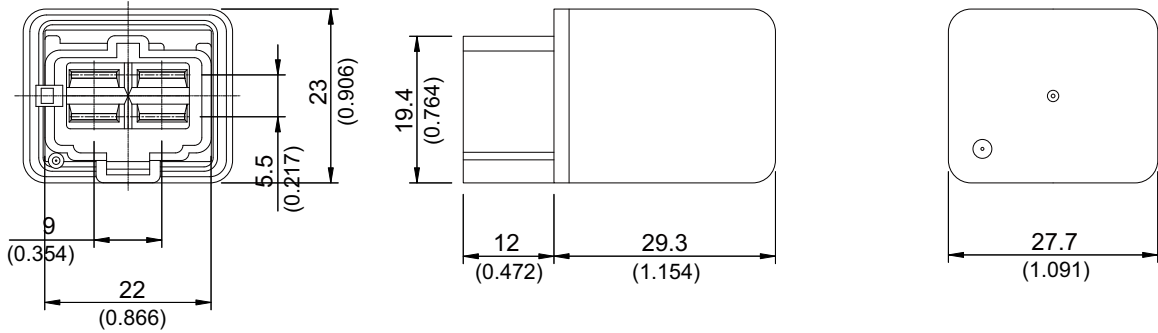


◆804 (C1)

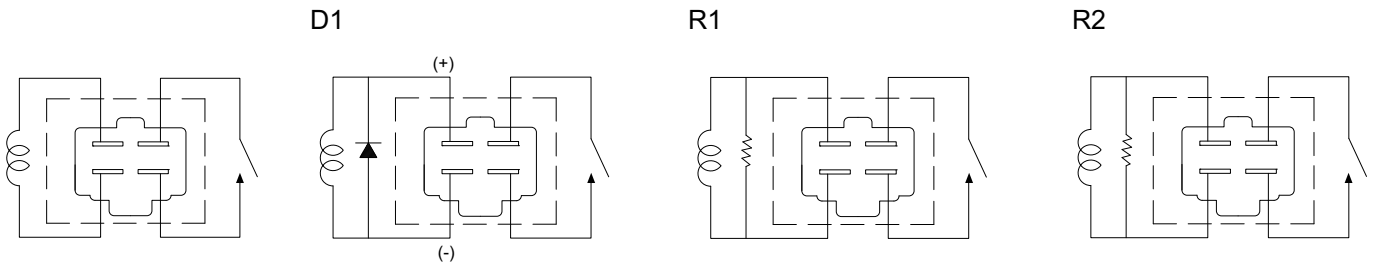


804

◆ 804 (S)



»» Wiring Diagram BOTTOM VIEW



»» Engineering Data

