



»» Features

- New generation of heavy duty PCB automotive relay.
- Design for multiple function applications with THT terminals and smallest mounting space.
- Most current relay can be replaced by 1 relay for Relay box / USM / PDM /Smart Junction box, etc.
- Contact rating 30A 14VDC.
- High temperature endurance up to 105°C.
- Mounting space less than micro ISO relay.
- Comply with RoHS-Directive 2002/95/EC and ELV-Directive 2000/53/EC.

»» Type List

Terminal style	Contact form	Enclosure style		
		Flux tight	Sealed type	Sealed type washable
PCB terminal	1A (SPNO)	905-1AH-C	905-1AH-V	905-1AH-S
		905-1AC-C	905-1AC-V	905-1AC-S
	1C (SPDT)	905-1CH-C	905-1CH-V	905-1CH-S
		905-1CC-C	905-1CC-V	905-1CC-S

»» Ordering Information

905 - 1A C - S
1 2 3 4

1. 905 -- Basic series designation

2. 1A -- Single pole normally open
1C -- Single pole double throw

3. C -- Contact material AgNi
H -- Contact material AgSnO

4. C -- Flux tight
V -- Sealed type
S -- Sealed type washable

»» Contact Rating

Resistive load	NO: 30A 14VDC, 100K ops. NC: 20A 14VDC, 100K ops.
Motor load	Cooling fan : 230W / 14VDC, 200K ops.
Lamp load	Head lamp : 120W / 14VDC, 200K ops.
Max. carry current	100A/5sec (25°C nominal voltage) 60A/10sec (85°C nominal voltage) 40.5A/30min (85°C nominal voltage)

»» Coil Rating (DC)

Rated voltage (V)	Rated current ±10 % at 23°C (mA)	Coil resistance ±10 % at 23°C (Ω)	Max. continuous voltage at 105°C ⁽¹⁾	Pick up voltage(Max) at 23°C	Drop out voltage(Min) at 23°C	Power consumption at rated voltage
12	60	200	14 V	7.2V	0.6V	approx. 0.72W

Note : (1) Continuous contact current at 25A.

»» Specification

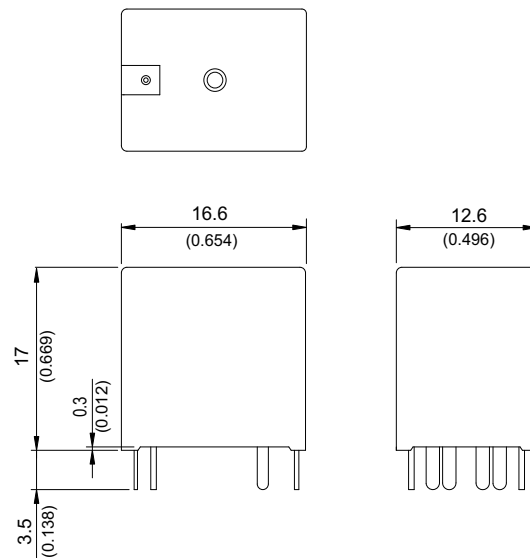
Contact material	AgSnO alloy ⁽²⁾	
Contact voltage drop ⁽¹⁾	Typ. 50mV at 10A	
Operate time ⁽¹⁾	10ms Max.	
Release time ⁽¹⁾	10ms Max.	
Insulation resistance ⁽¹⁾	100MΩ Min. (DC 500V)	
Dielectric strength ⁽¹⁾	Between open contact	: AC 500V, 50/60Hz 1 min.
	Between contact and coil	: AC 500V, 50/60Hz 1 min.
Vibration resistance	Operating extremes	10~55Hz , amplitude 1.5 mm
	Damage limits	10~55Hz , amplitude 1.5 mm
Shock resistance	Operating extremes	10G
	Damage limits	100G
Life expectancy	Mechanical	10,000,000 operations (frequency 18,000 operations/hr)
Temperature range	Storage	-40~+125°C (no freezing)
	Operating	-40~+105°C (no freezing) ⁽³⁾
Weight	Approx. 8.6 g	

Note : (1) Initial value

(2) Contact material of AgNi is also available, for the details please contact Song Chuan.

(3) Ambient temperature of -40~+125°C is also available, for the details please contact Song Chuan.

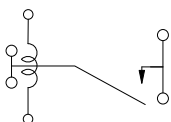
»» Outline Dimensions



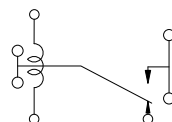
»» Wiring Diagram

BOTTOM VIEW

1A



1C



»» PC Board Layout

BOTTOM VIEW

